

Oil Burner Nozzles

Type "HO" HEAVY OIL

Type HO nozzles are designed to maximize combustion results on commercial and heavy oil installations. They overcome the problems of narrower spray angles, voids and flutter frequently encountered when using standard nozzles at elevated operating pressures and viscosities. Type HO nozzles are rated for flow at 100 psi (6.9 Bar) on 35 SSU oil (2.7 Centistokes) but are rated for spray angle on 70 SSU (13 Centistokes) oil at a test pressure of 430 PSI (30 Bar), typical field operating conditions. All nozzles are stamped: $\frac{430PSI}{HO}$

Applications:

- Used to spray heavier viscosity oils for combustion and industrial uses.

Materials/Construction:

- Type 416 Stainless Steel
- Other materials available upon request.
- Supplied as "Tips Only" (nozzle without strainer)
120 mesh strainers may be ordered separately.

Available/Spray Angles:

- Flow rates from 2.00 GPH TO 120.00 GPH
- 2.00 through 28.00 GPH; 45°, 60°, 80°
- 30.00 GPH & up: 80° only

Spray Pattern:

- Semi-solid, "Universal"

Tolerances:

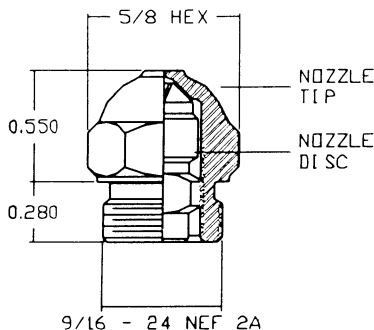
- Flow rates: + or - 5% from nominal @ 100 psig (6.9 Bar) on 35 SSU (2.7 Centistokes) operating viscosity oil.
- Spray angles: + or -5° from nominal @430 psig (30 Bar) on 70 SSU (13 Centistokes) operating viscosity oil.

Ordering Information:

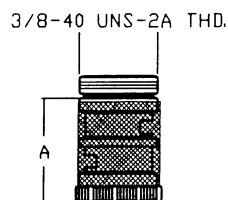
- The part number represents the nominal flow rate, the spray angle and the nozzle type "HO".
- **Example: 12.00 - 60- HO**

CHART SHOWING FLOW RATES AT VARIOUS OPERATING PRESSURES ON REVERSE SIDE

NOZZLE

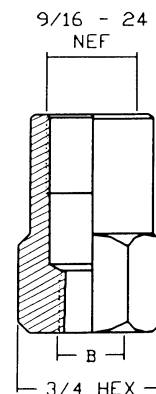


STRAINER



	A
SHORT	3/8
STANDARD	1 7/32
LONG	1 3/32

ADAPTER



	A	B
SHORT	L	1/8-27 NPT
STANDARD	1 3/8	1/4-18 NPT
LONG	2	

NOMINAL RATING #2 FUEL OIL	FLOW RATE (gph) @ 70 ssu VISCOSITY LINE PRESSURE (psig)							
	100 psig	200	250	300	350	400	430	450
2.00	2.92	3.23	3.50	3.75	3.99	4.12	4.20	4.41
2.50	3.65	4.03	4.38	4.69	4.98	5.15	5.26	5.51
3.00	4.38	4.84	5.25	5.63	5.98	6.18	6.31	6.61
3.50	5.11	5.65	6.13	6.57	6.98	7.21	7.36	7.72
4.00	5.84	6.45	7.01	7.51	7.97	8.24	8.41	8.82
4.50	6.57	7.26	7.88	8.45	8.97	9.27	9.46	9.92
5.00	7.30	8.07	8.76	9.39	9.97	10.30	10.51	11.02
5.50	8.03	8.88	9.63	10.33	10.97	11.33	11.56	12.12
6.00	8.76	9.68	10.51	11.26	11.96	12.36	12.61	13.23
6.50	9.49	10.49	11.39	12.20	12.96	13.39	13.66	14.33
7.00	10.22	11.30	12.26	13.14	13.96	14.42	14.72	15.43
7.50	10.95	12.10	13.14	14.08	14.95	15.45	15.77	16.53
8.00	11.68	12.91	14.01	15.02	15.95	16.48	16.82	17.63
8.50	12.41	13.72	14.89	15.96	16.95	17.51	17.87	18.74
9.00	13.14	14.52	15.76	16.90	17.94	18.54	18.92	19.84
9.50	13.87	15.33	16.64	17.84	18.94	19.57	19.97	20.94
10.50	15.32	16.94	18.39	19.71	20.93	21.63	22.07	23.15
12.00	17.51	19.36	21.02	22.53	23.92	24.72	25.23	26.45
13.50	19.70	21.78	23.65	25.35	26.92	27.81	28.38	29.76
15.50	22.62	25.01	27.15	29.10	30.90	31.93	32.59	34.17
17.50	25.54	28.24	30.65	32.86	34.89	36.04	36.79	38.58
19.50	28.46	31.47	34.16	36.61	38.88	40.16	40.99	42.98
21.50	31.38	34.69	37.66	40.37	42.87	44.28	45.20	47.39
24.00	35.03	38.73	42.04	45.06	47.85	49.43	50.45	52.90
28.00	40.87	45.18	49.05	52.57	55.82	57.67	58.86	61.72
30.00	43.79	48.41	52.55	56.32	59.81	61.79	63.07	66.13
32.00	46.70	51.64	56.05	60.08	63.80	65.91	67.27	70.54
35.00	51.08	56.48	61.31	65.71	69.78	72.09	73.58	77.15
40.00	58.38	64.55	70.07	75.10	79.75	82.39	84.09	88.17
45.00	65.68	72.62	78.82	84.49	89.72	92.69	94.60	99.20
50.00	72.98	80.68	87.58	93.87	99.69	102.98	105.11	110.22
55.00	80.27	88.75	96.34	103.26	109.66	113.28	115.62	121.24
60.00	87.57	96.82	105.10	112.65	119.62	123.58	126.14	132.26
65.00	94.87	104.89	113.86	122.04	129.59	133.88	136.65	143.28
70.00	102.17	112.96	122.62	131.42	139.56	144.18	147.16	154.30
80.00	116.76	129.09	140.13	150.20	159.50	164.78	168.18	176.35
90.00	131.36	145.23	157.65	168.97	179.44	185.37	189.20	198.39
100.00	145.95	161.37	175.16	187.75	199.37	205.97	210.23	220.43
110.00	160.55	177.50	192.68	206.52	219.31	226.57	231.25	242.48
120.00	175.14	193.64	210.20	225.30	239.25	247.16	252.27	264.52

HAGO PRECISION SPRAY NOZZLES
100% Tested 100% Guaranteed 100% Stainless Steel